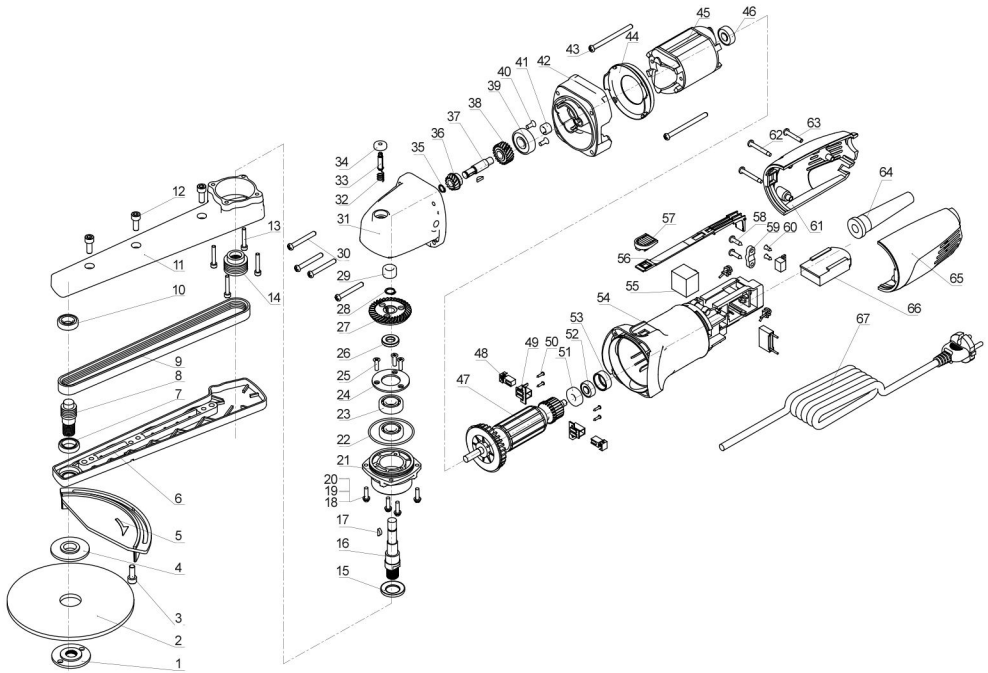


## Schematic & Parts List



Part#	Description	Qty.	Part#	Description	Qty.	Part#	Description	Qty.
1	Flange(up)	1	26	Flat Washer	1	51	Magnet Ring	1
2	Polishing Disc	1	27	Gear (Big)	1	52	Bearing	1
3	Screws	1	28	Clamp Spring	1	53	Bearing Housing	1
4	Flange (down)	1	29	Needle Roller	1	54	Housing	1
5	Dust Shroud	1	30	Screws	4	55	Switch	1
6	Cap of Aluminum	1	31	Head Cap	1	56	Push Stick	1
	Shaft		32	Locking Spring	1	57	Push Button	1
7	Bearing	1	33	Locking Shaft	1	58	Screws	2
8	Running Roller	1	34	Locking Spring	1	59	Cable Press Plate	1
9	Drive Belt	1	35	Clamp Spring	4	60	Screws	2
10	Bearing	1	36	Bevel Gear	1	61	Rear Cover (Right)	1
11	Aluminum Shaft	1	37	Shaft (Small)	1	62	Screws	2
12	Screws	3	38	Cylinder Gear	1	63	Screws	1
13	Screws	4	39	Bearing	1	64	Boot	1
14	Belt Wheel	1	40	Screws	2	65	Rear Cover (Left)	1
15	Dust Cap	1	41	Roller	1	66	Speed Control Switch	1
16	Output Shaft	1	42	Middle Cover	1	67	Power Cord	1
17	Woodruff Key	2	43	Screws	2			
18	Screws	4	44	Windshield	1			
19	Washer	4	45	Stator	1			
20	Cushion	4	46	Bearing	1			
21	Front Cover	1	47	Rotor	1			
22	O-Ring	1	48	Carbon Brush	2			
23	Bearing	2	49	Carbon Brush	2			
24	Bearing Plate	1		Holder				
25	Screws	3	50	Screws	4			