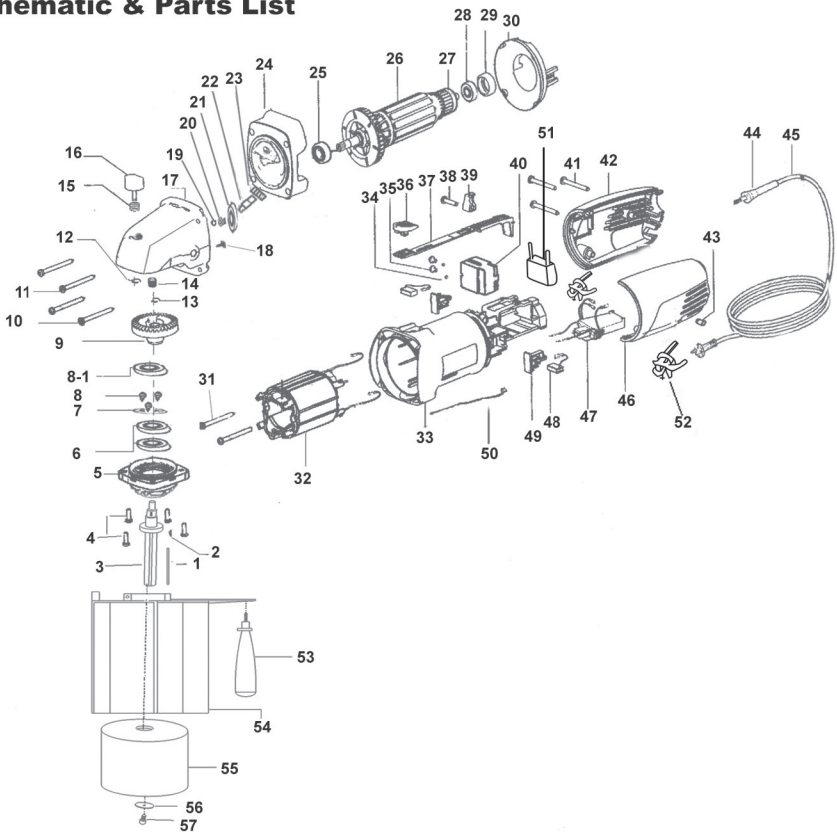


## Schematic & Parts List



Part#	Description	Qty.	Part#	Description	Qty.	Part#	Description	Qty.
1	Flat Key	1	21	Bearing	1	42	Rear Cover (right)	1
2	Woodruff Key	1	22	Gear Case Spindle	1	43	Screw	2
3	Output Shaft	1	23	Spur Gear (small)	1	44	Boot Cord	1
4	Screw	4	24	Bearing Retainer	1	45	Electrical Cord	1
5	Front Cover	1	25	Bearing	1	46	Rear Cover (left)	1
6	Bearing	2	26	Rotor	1	47	Speed-Controller	1
7	Gland	1	27	Magnet Ring	1	48	Carbon Brush	1
8	Gland Screw	3	28	Bearing	1	49	Brush Holder	1
8-1	Flat Washer	1	29	Bearing Housing	1	50	Ground Wire	1
9	Gear (big)	1	30	Wind Cover	1	51	Capacitance	1
10	Screw	2	31	Screw	2	52	Inductance	2
11	Screw	2	32	Stator	1	53	Additional Handle	1
12	Clamp Spring	1	33	Housing	1	54	Protective Cover	1
13	Clamp Spring	1	34	Flat Washer	1	55	Sanding Roller	1
14	Quill Roller	1	35	Screw	1	56	Spacer	1
15	Spring	1	36	Thumb Button	1	57	Screw	1
16	Self-locking Button	1	37	Switch Lever	1			
17	Gear Cap	1	38	Screw	1			
18	Screw	2	39	Cable Disc	1			
19	Clamp Spring	1	40	Switch	1			
20	Gear (small)	1	41	Screw	1			